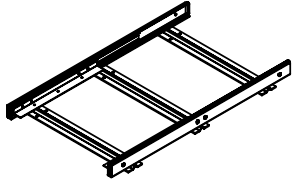


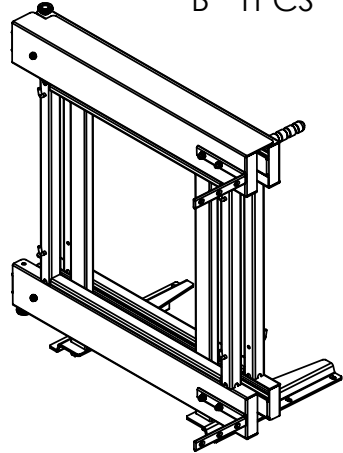
Fixing manual for drawer magic corner (Left) PTJ017EL

1、Accessories:

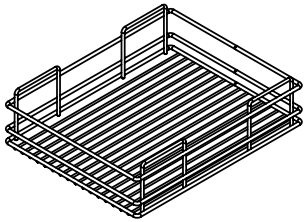
A 1PCS



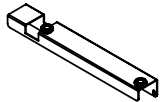
B 1PCS



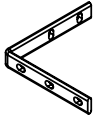
C 4PCS



D 1PCS



E 2PCS



F ST4*14
18PCS



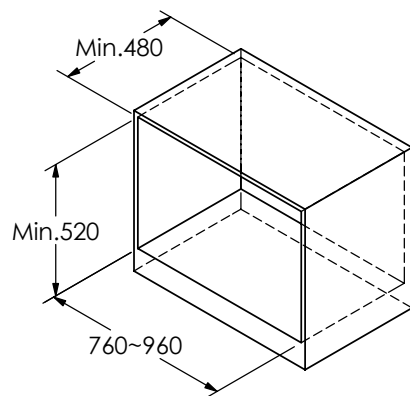
G M5*8
6PCS



H M4*8
2PCS

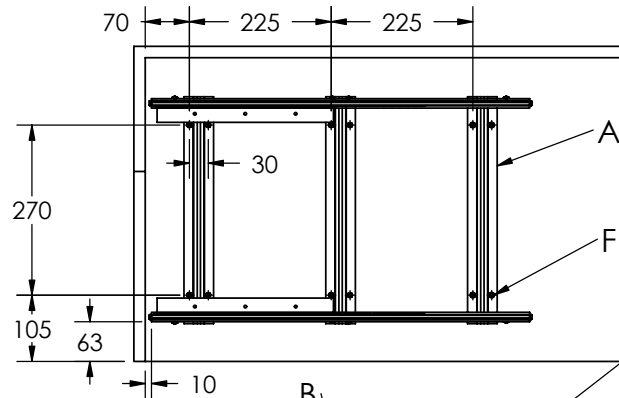


2、Suitable cabinet size (inside cabinet size) and door board (W≥400):

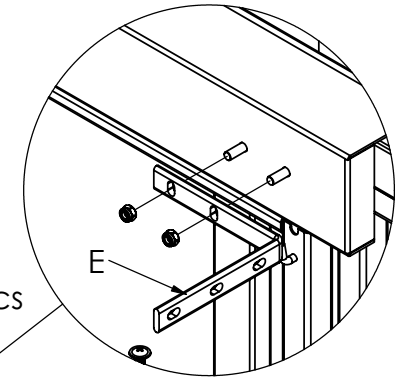


3、Fixing process :

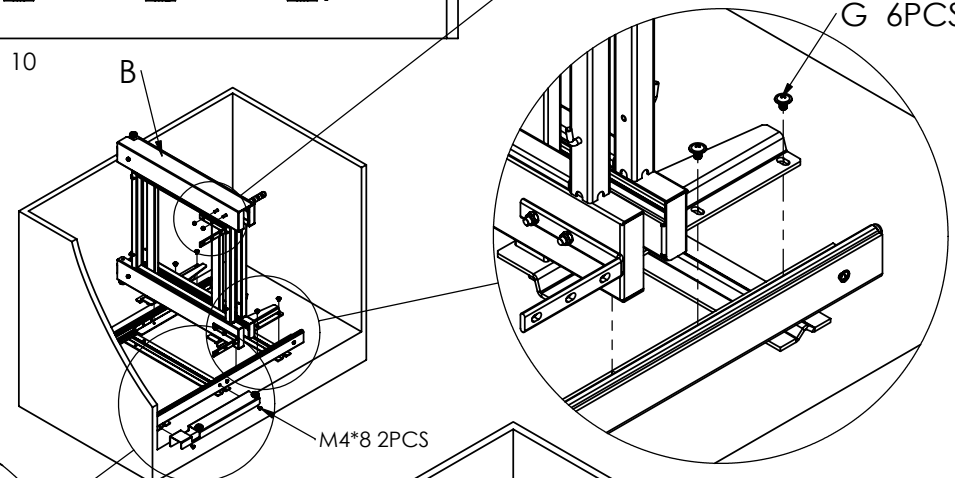
(1)、



12Pcs

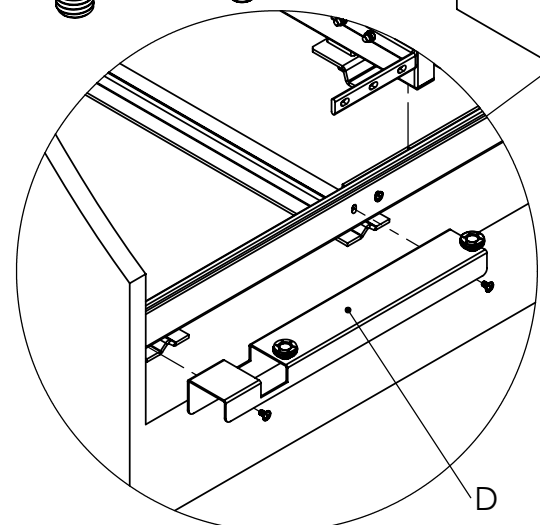


(2)、



G 6PCS

M4*8 2PCS



(3)、

