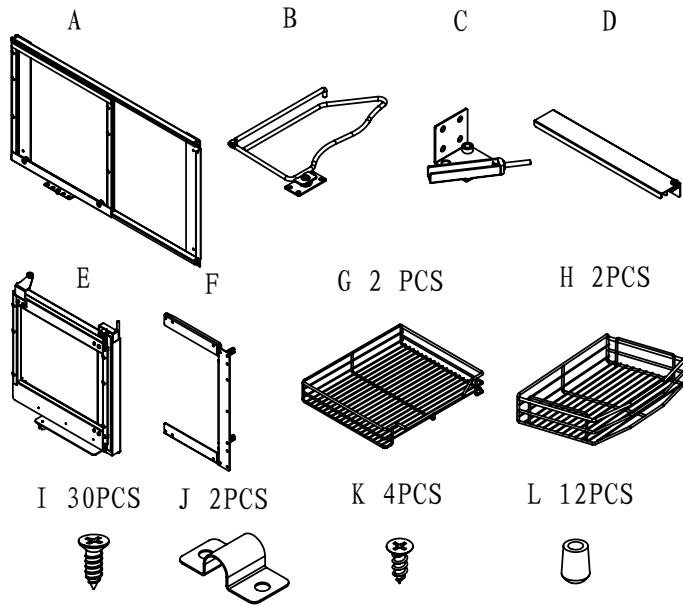
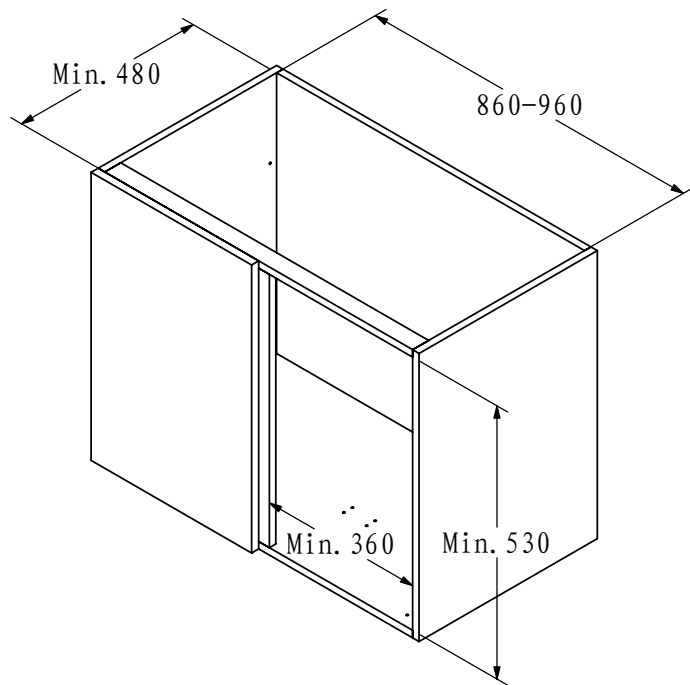


Fixing manual for PTJ017GB

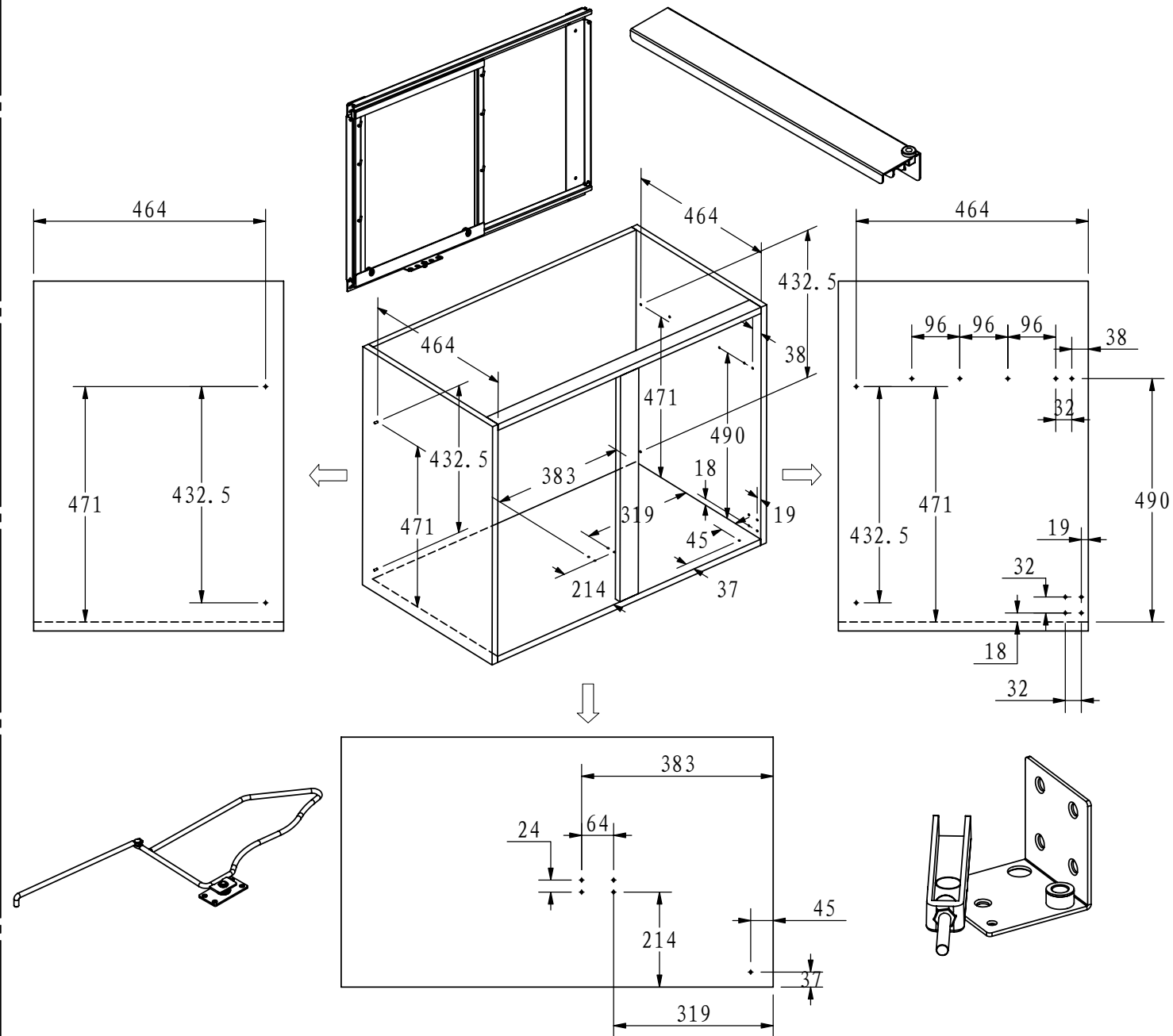
1、Accessories:



2、Measurement of suitable cabinet:

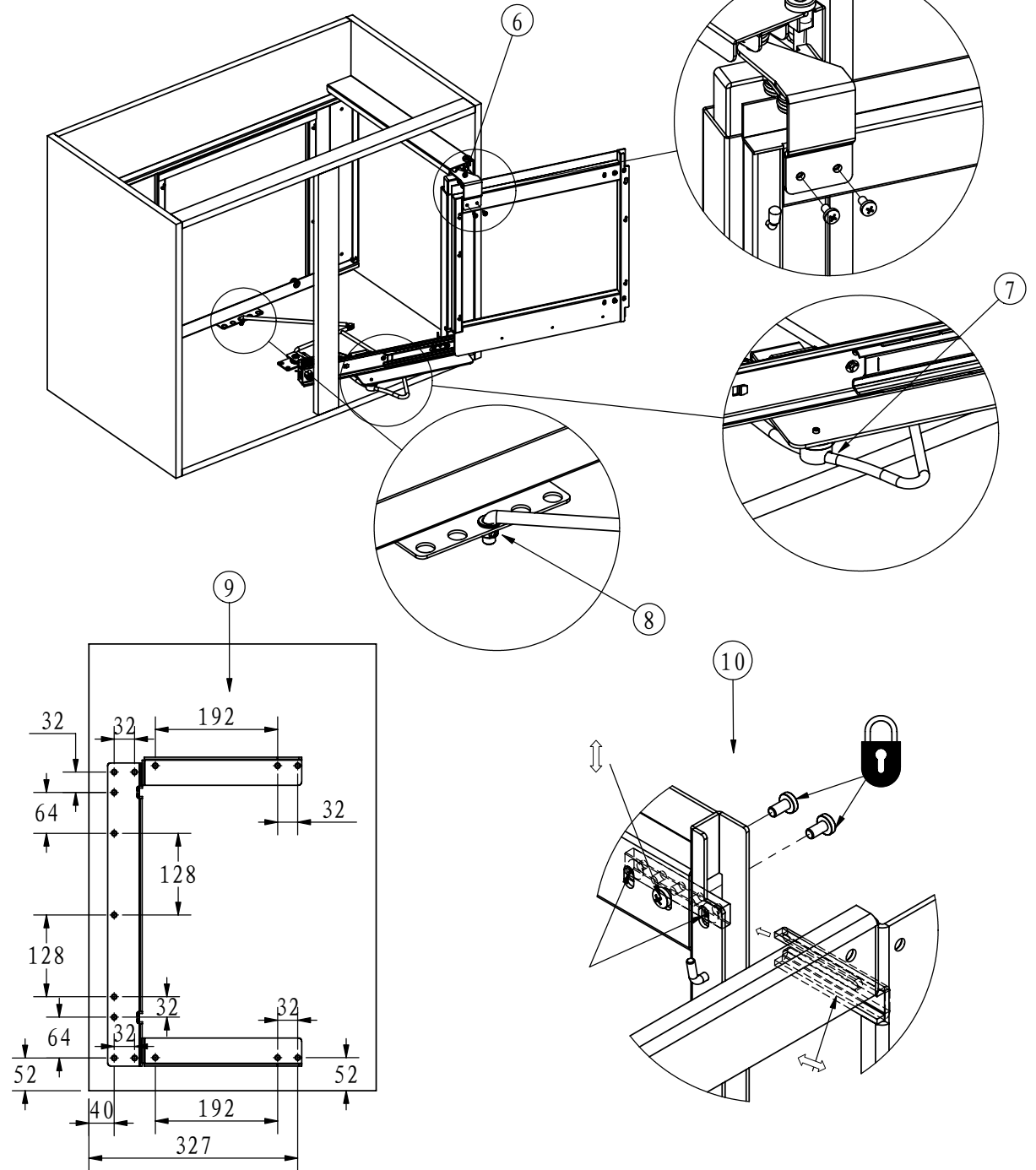
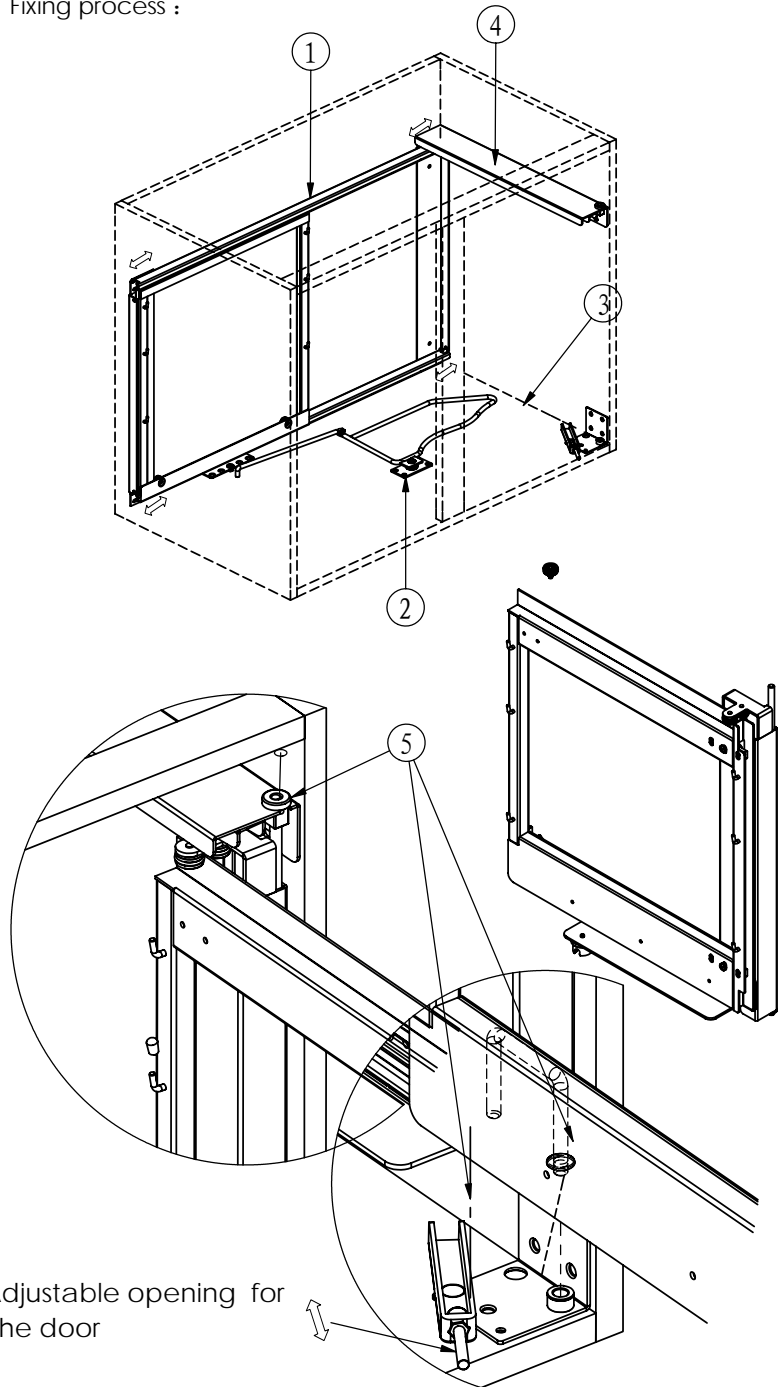


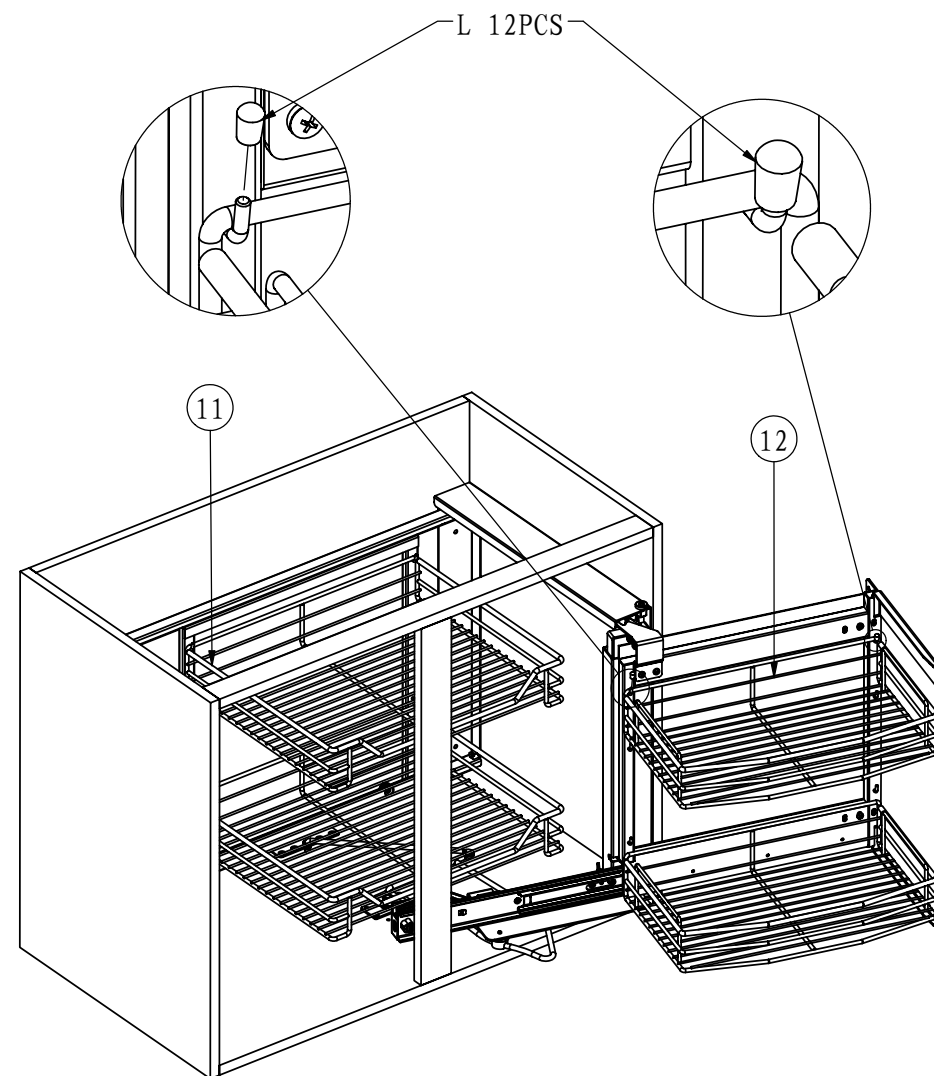
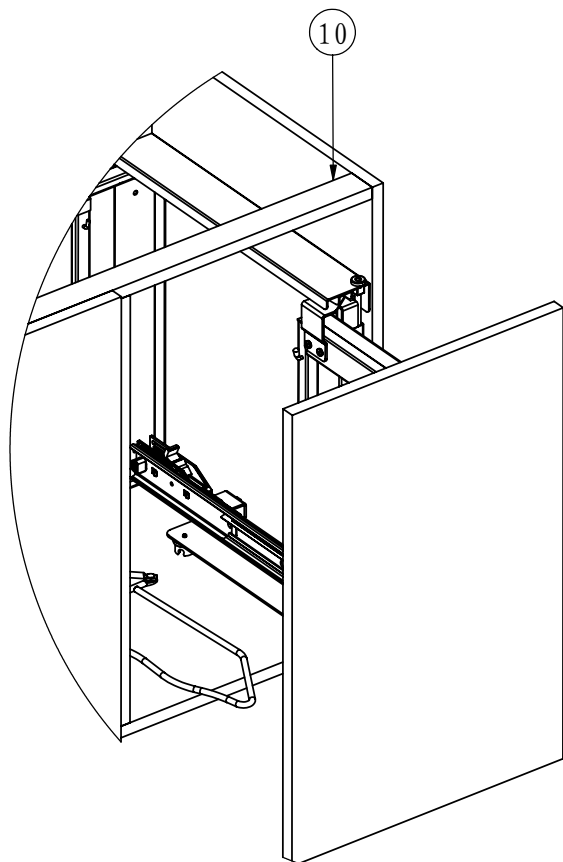
3、Fixing Position for the accessories:



Fixing manual for PTJ017GB

4. Fixing process :





5、 Fix the baskets on the door with the fixing unit (J 2PCS) and screws (K 4PCS) .