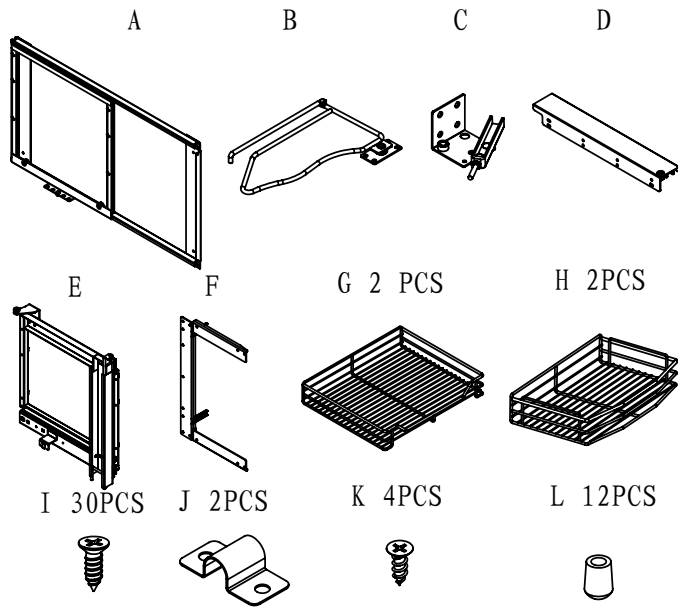
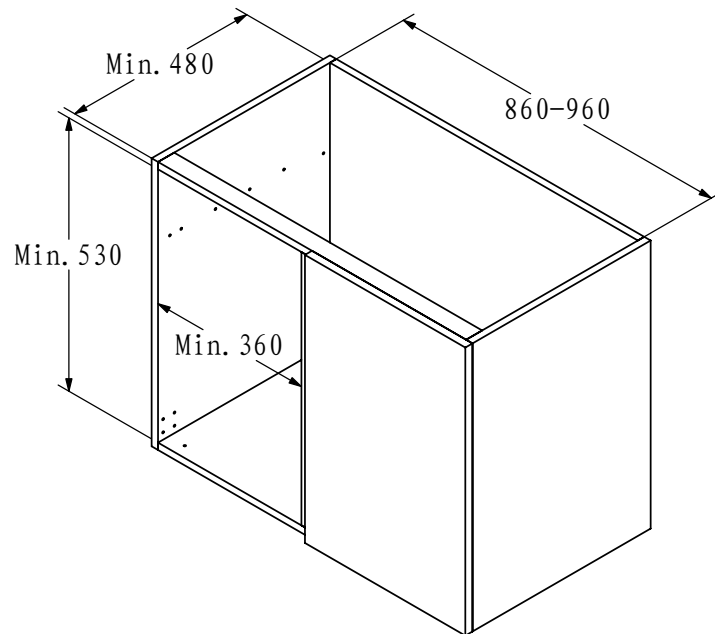


Fixing manual for PTJ017GA

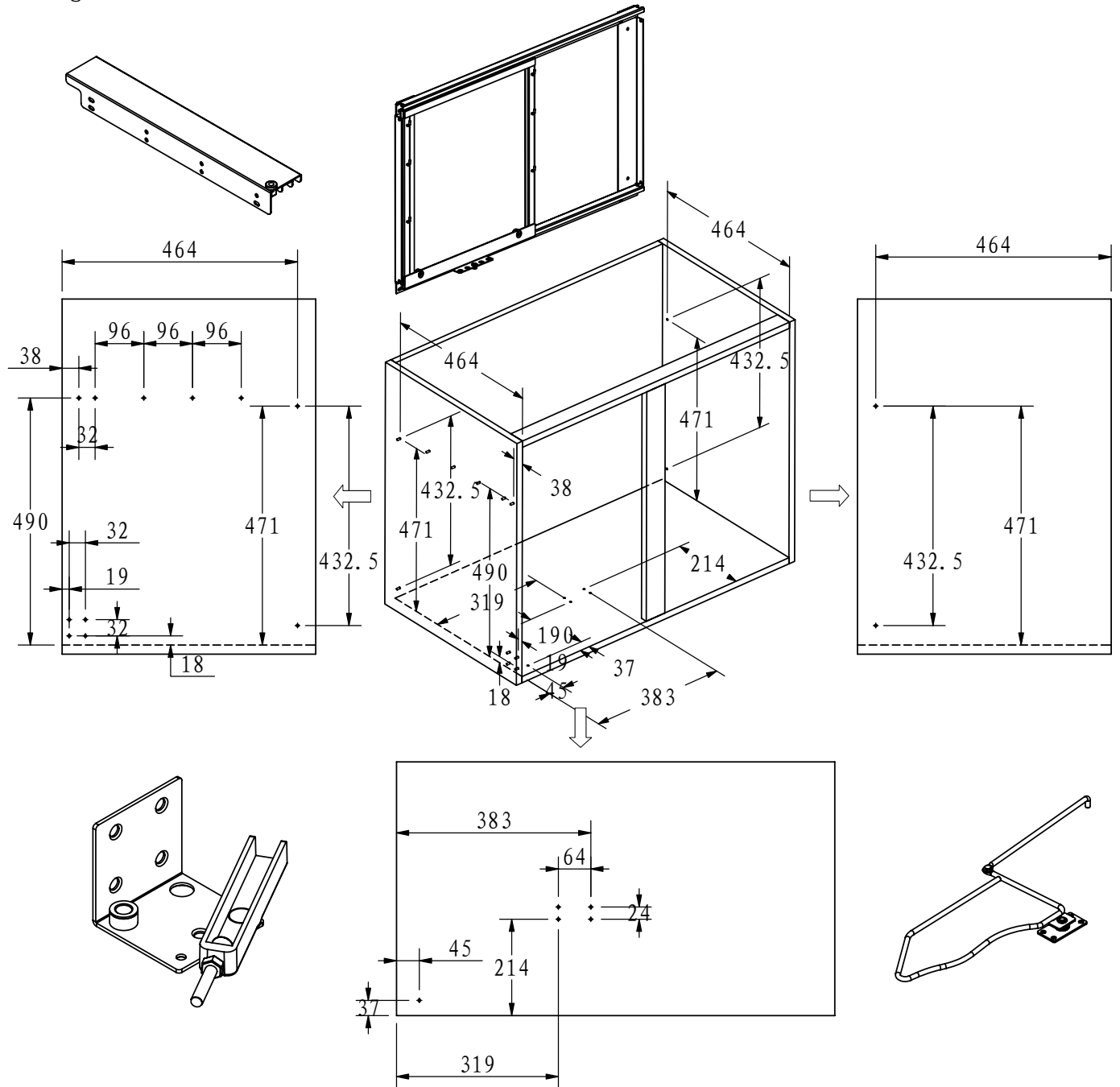
1. Accessories:



2. Measurement of suitable cabinet:

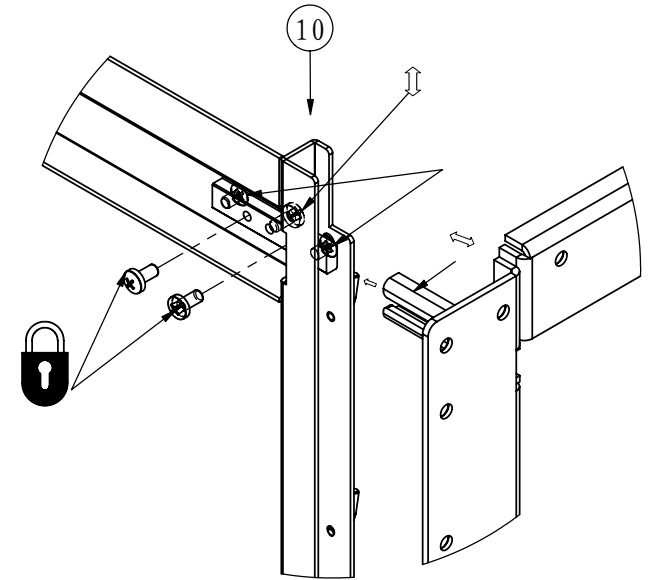
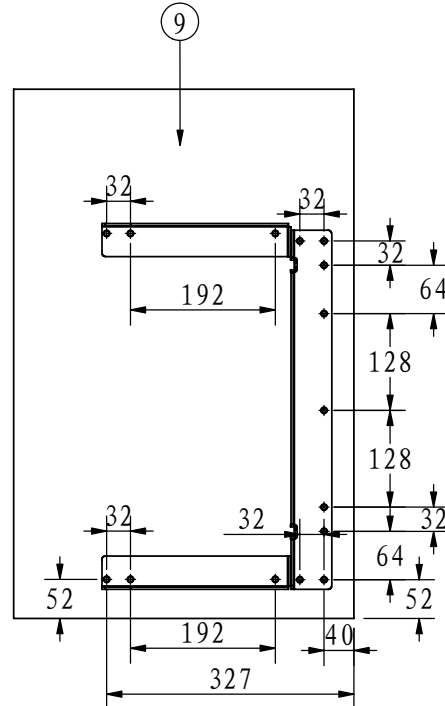
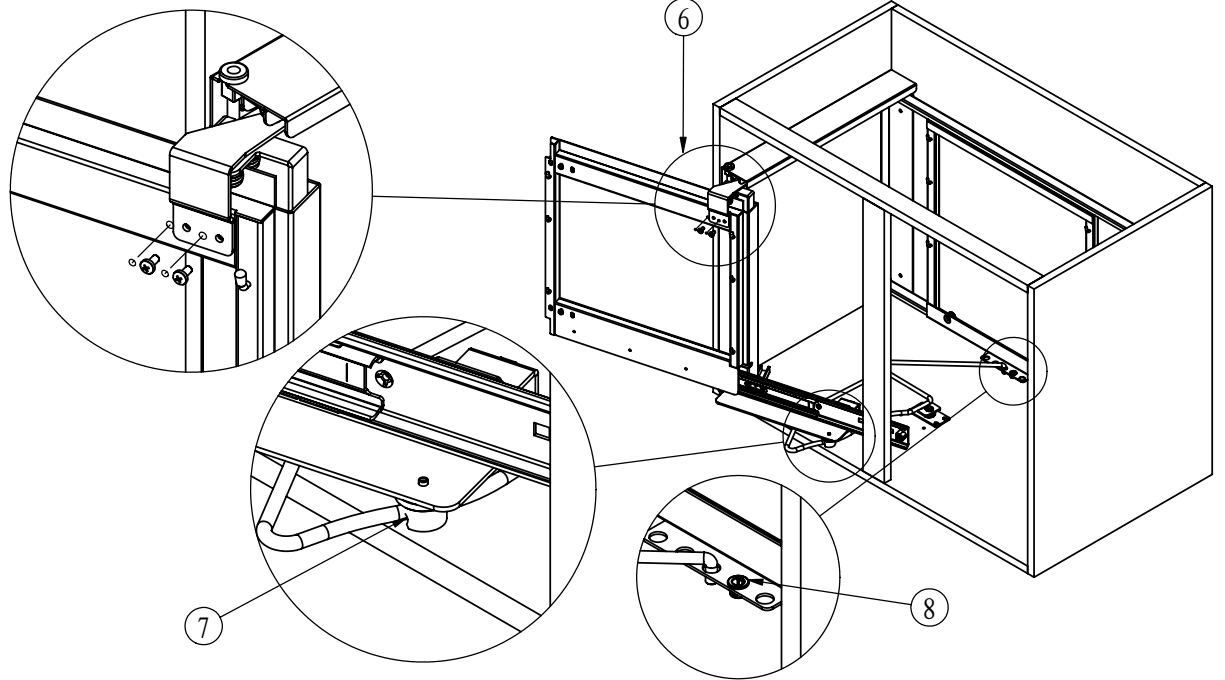
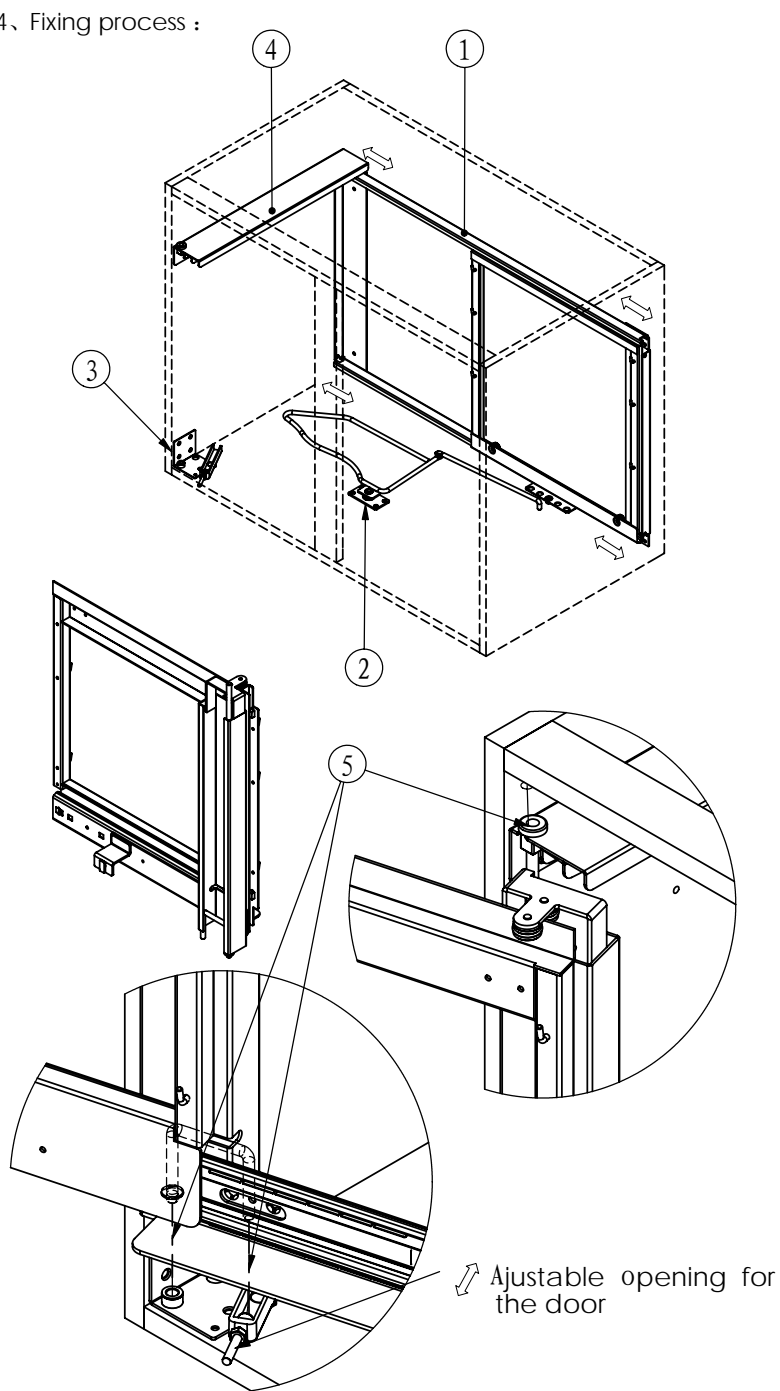


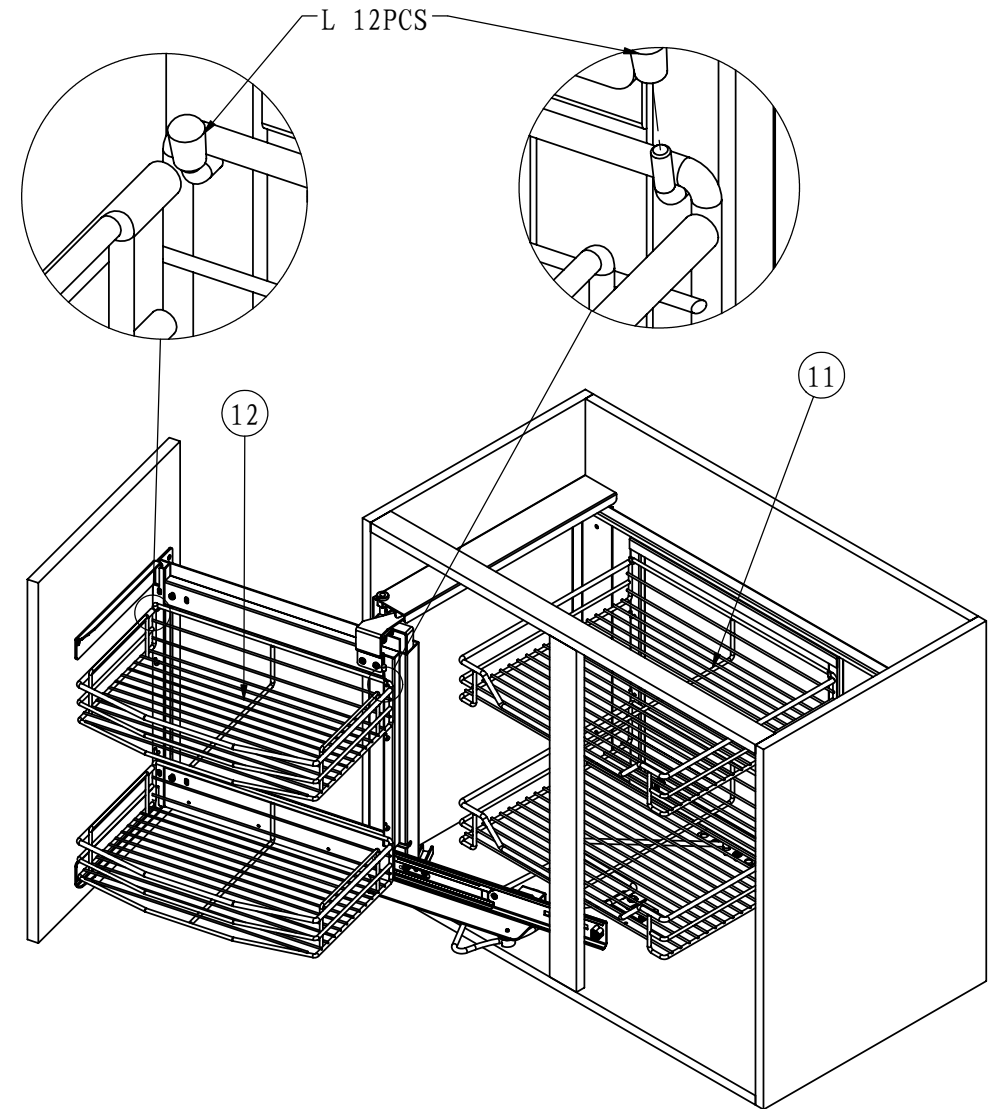
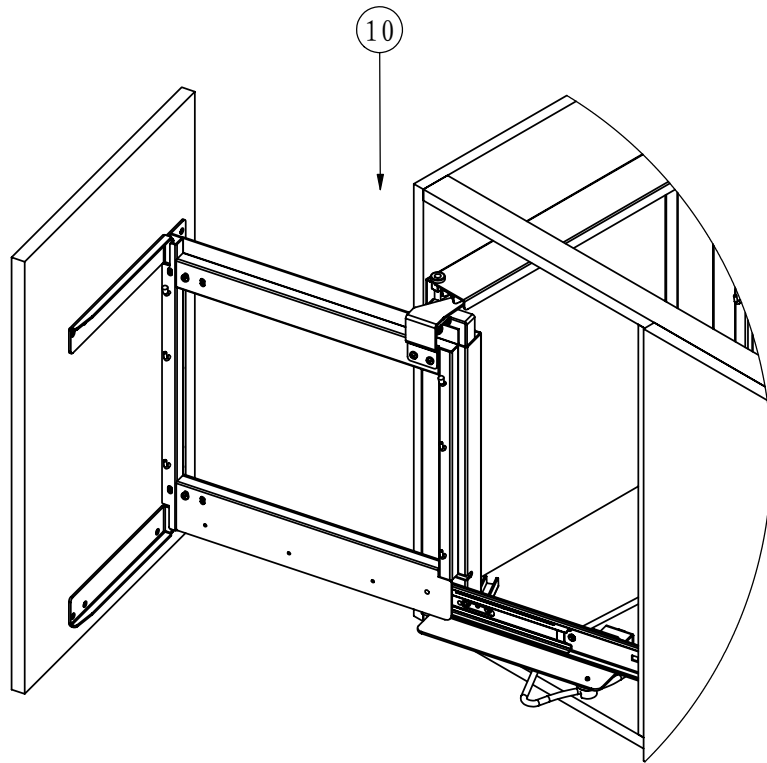
3. Fixing Position for the accessories:



Fixing manual for PTJ017GA

4. Fixing process :





5、 Fix the baskets on the door with the fixing unit (J 2PCS) and screws (K 4PCS) .