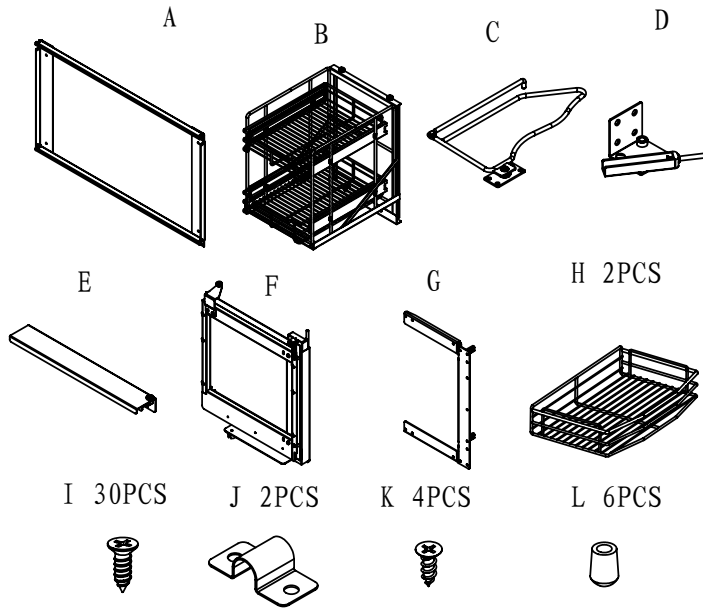
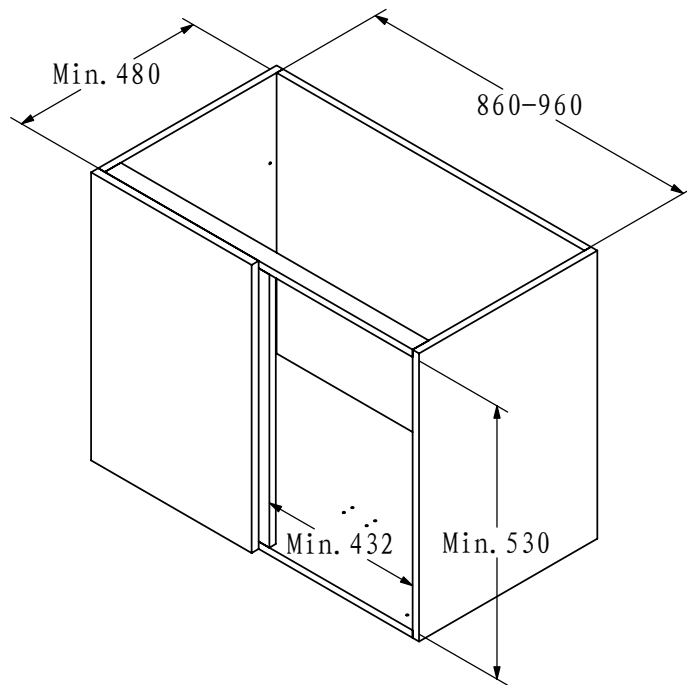


Fixing manual for PTJ017HB

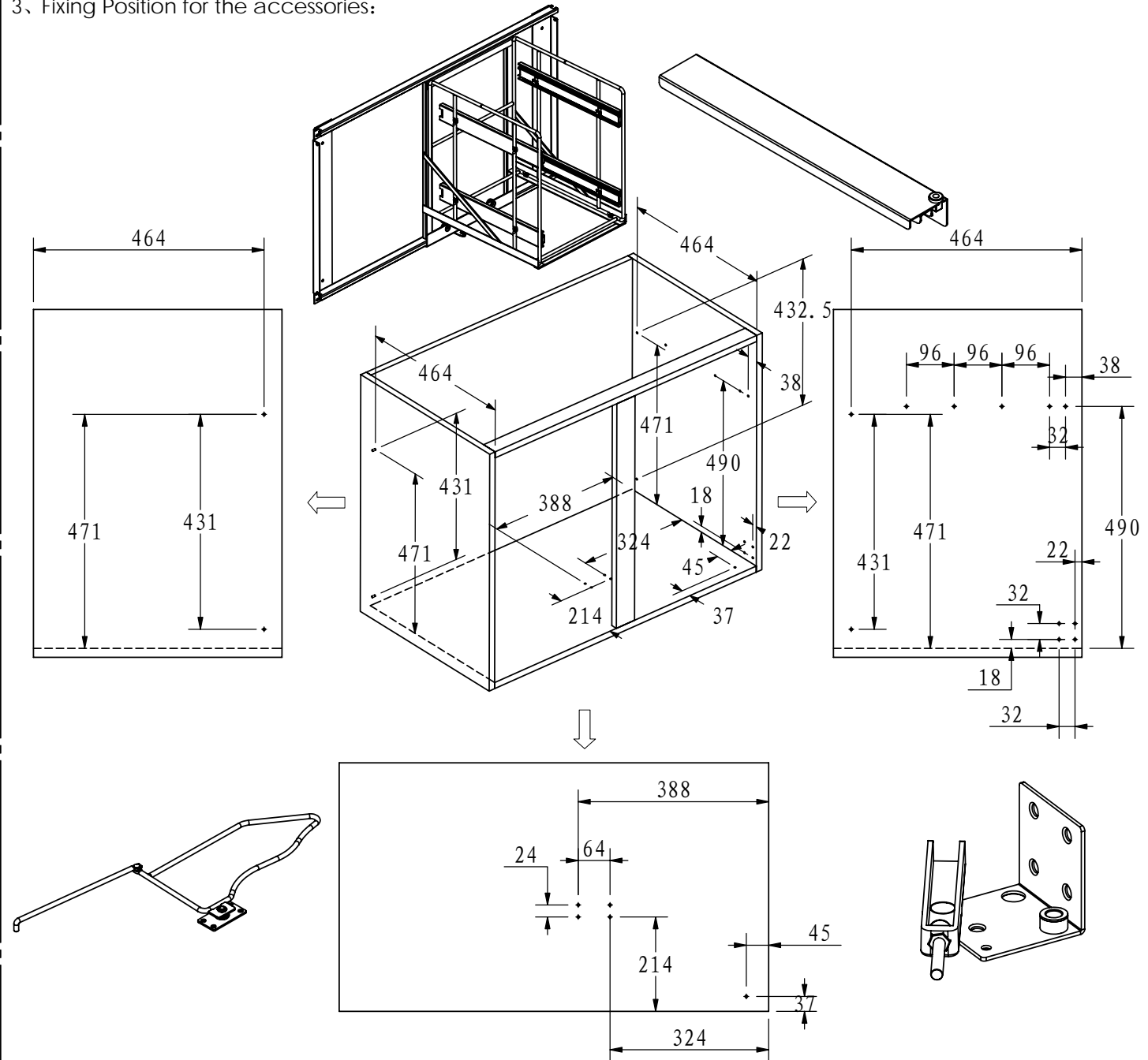
1、Accessories:



2、Measurement of suitable cabinet:

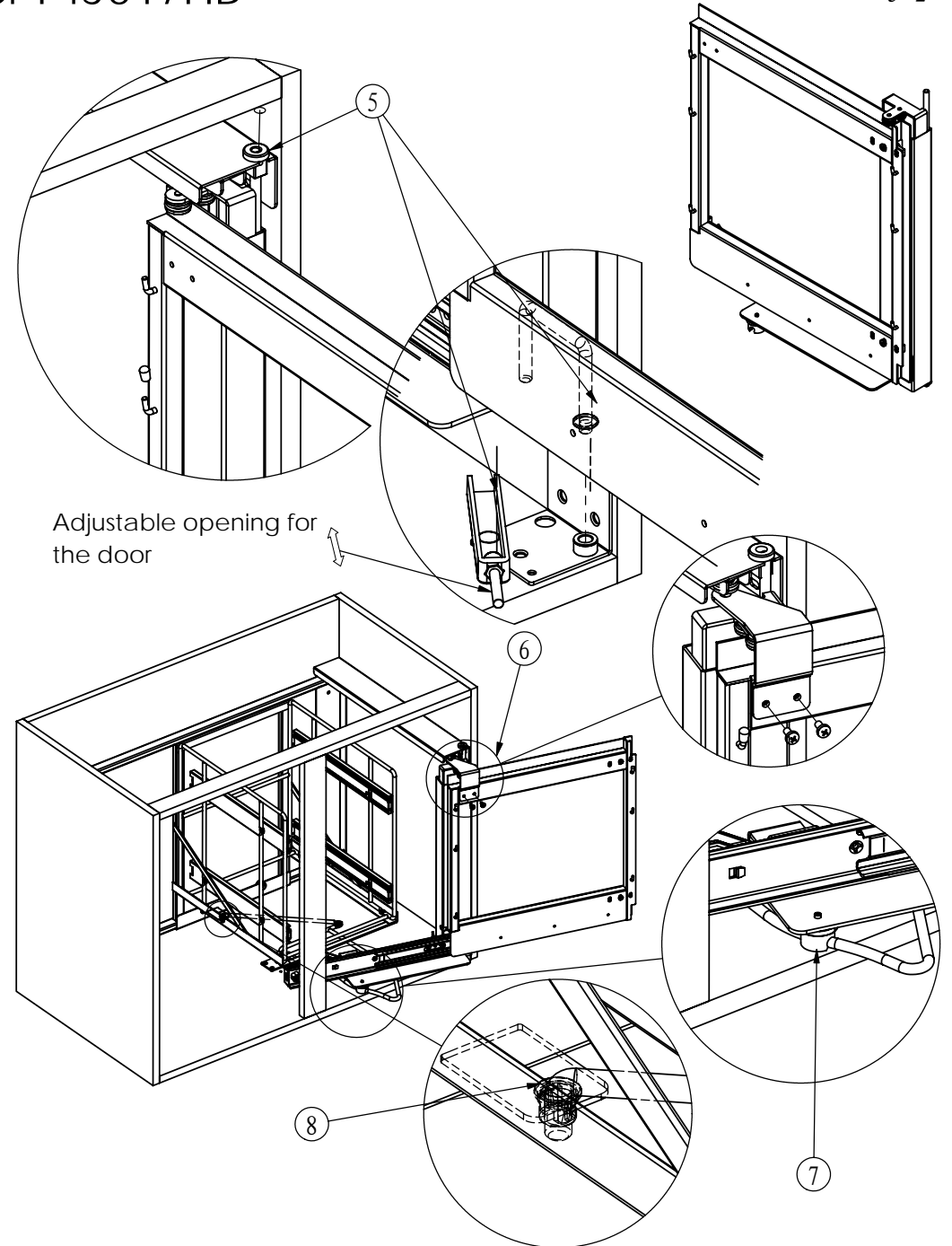
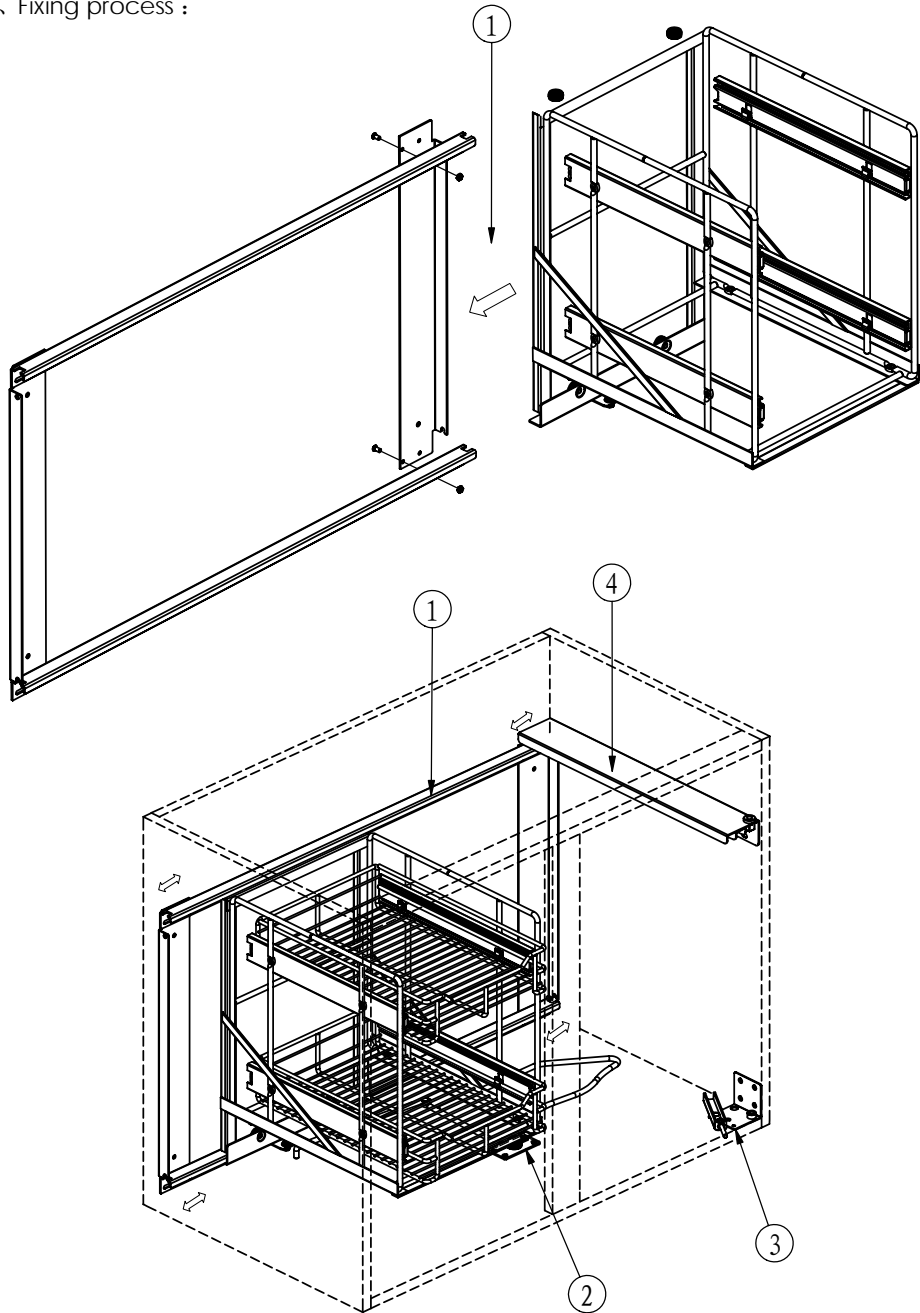


3、Fixing Position for the accessories:

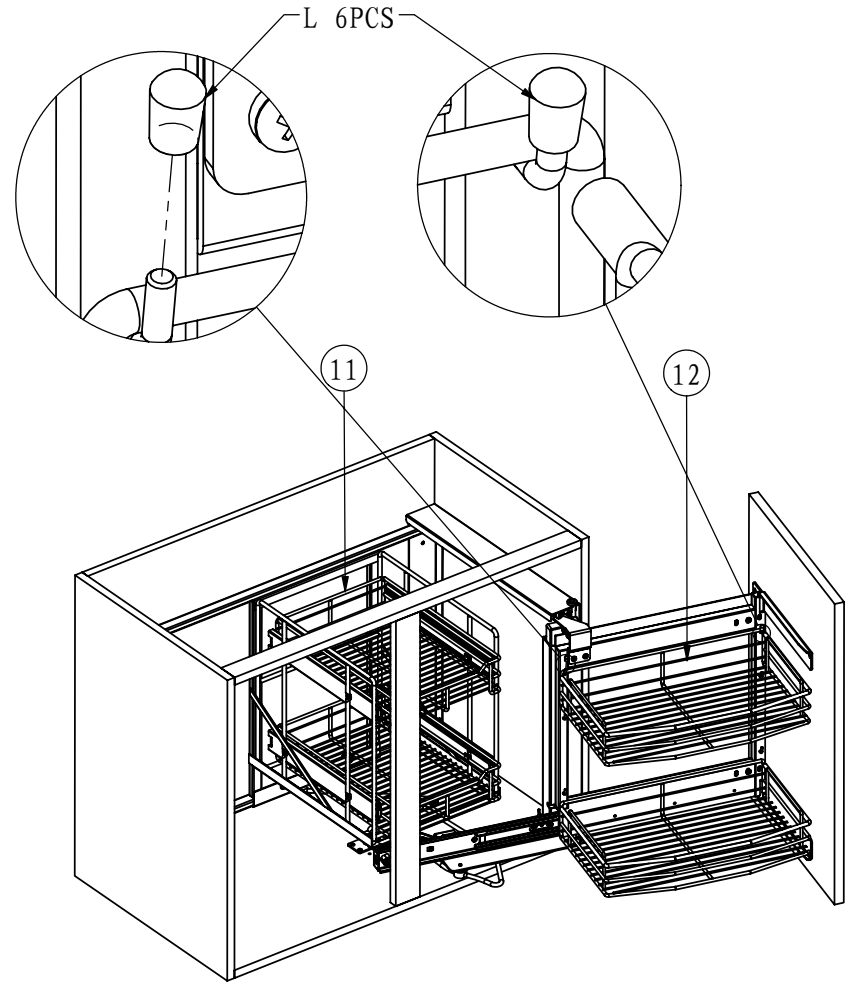
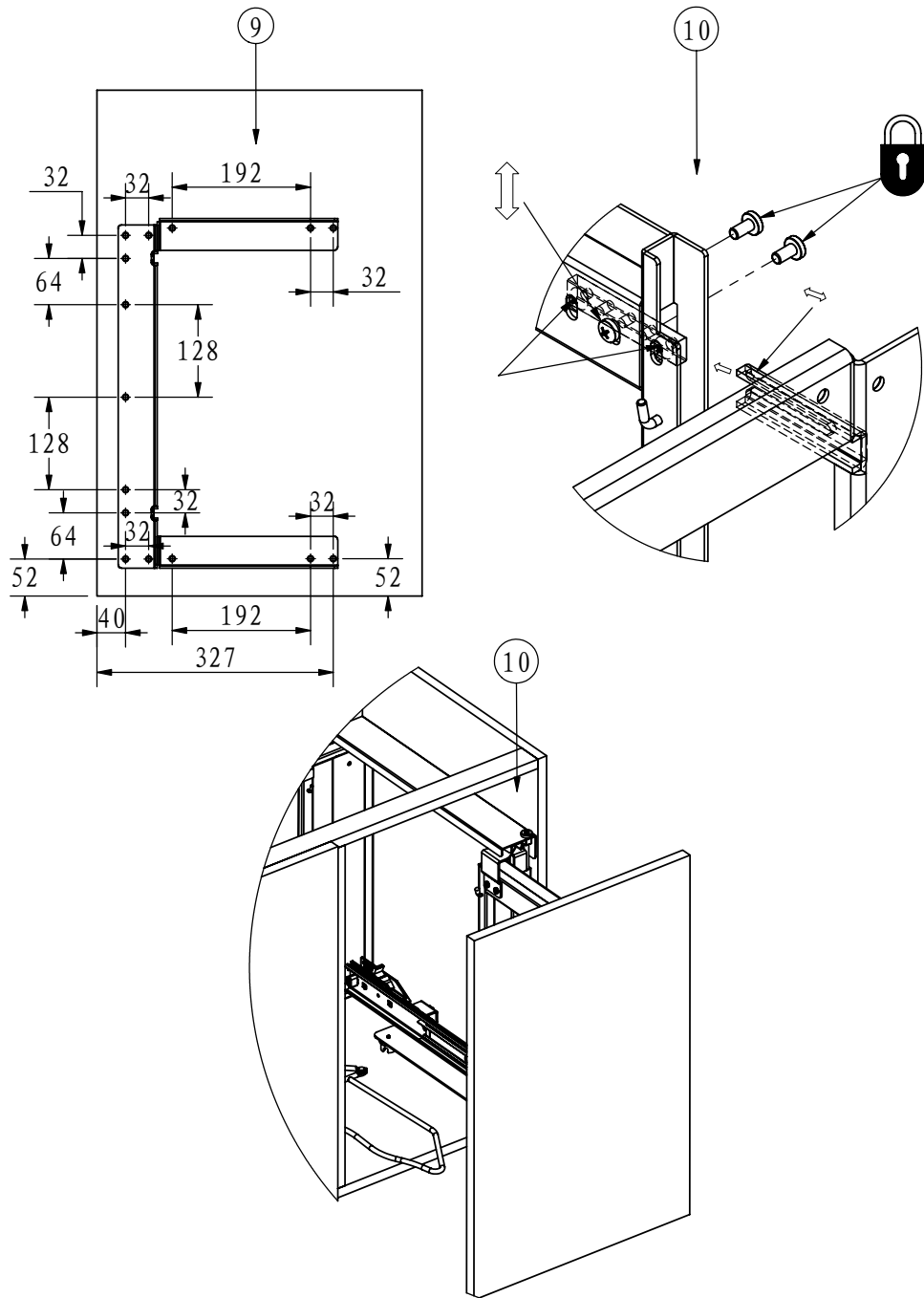


Fixing manual for PTJ017HB

4. Fixing process :



Fixing manual for PTJ017HB



5、 Fix the baskets on the door with the fixing unit (J 2PCS) and screws (K 4PCS) .