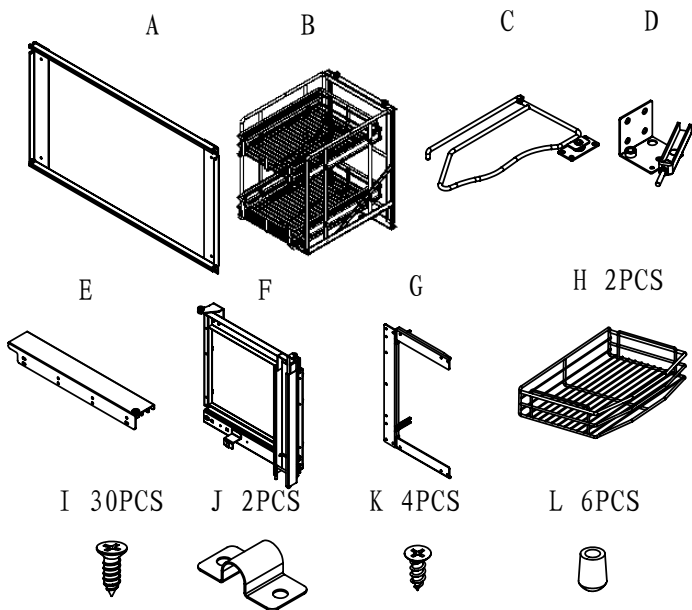
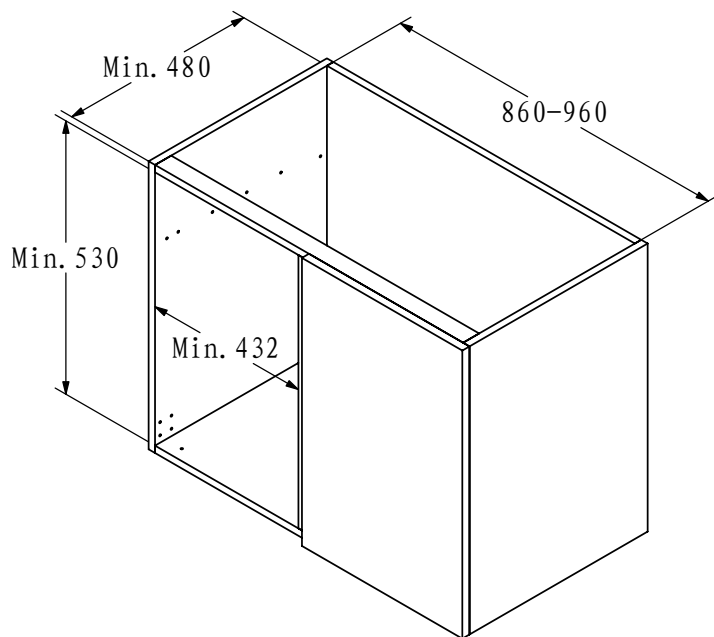


Fixing manual for PTJ017HA

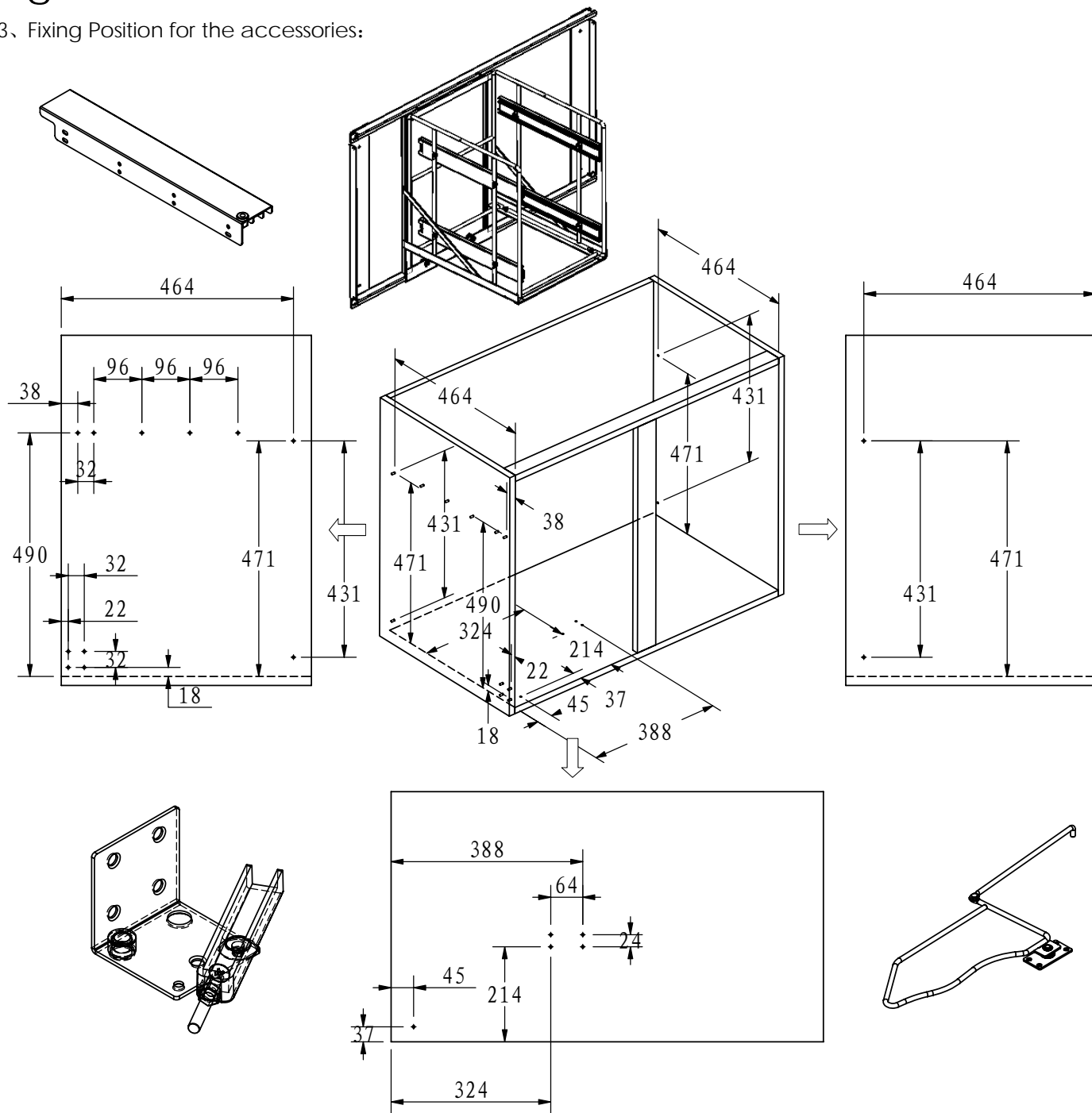
1. Accessories:



2. Measurement of suitable cabinet:

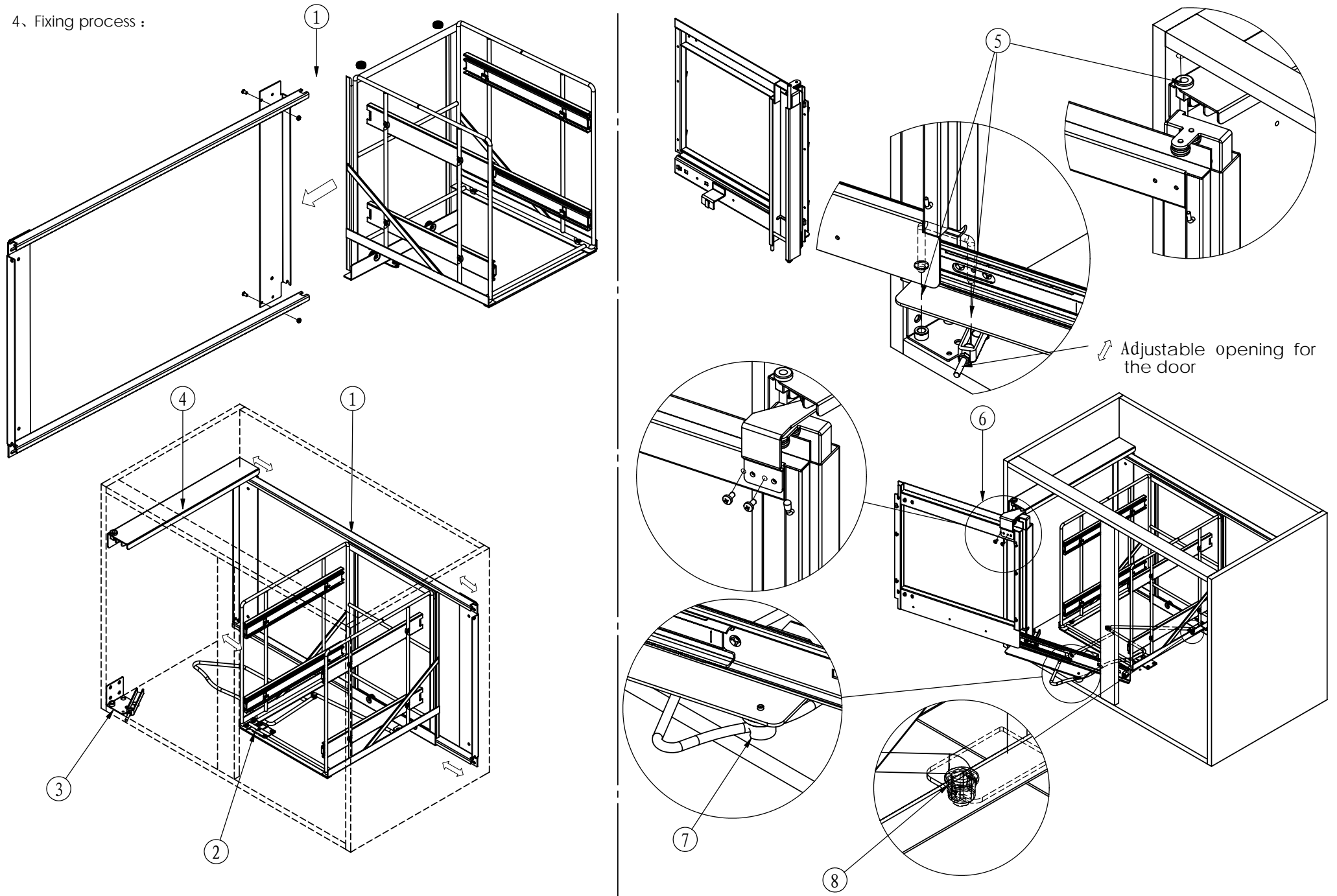


3. Fixing Position for the accessories:

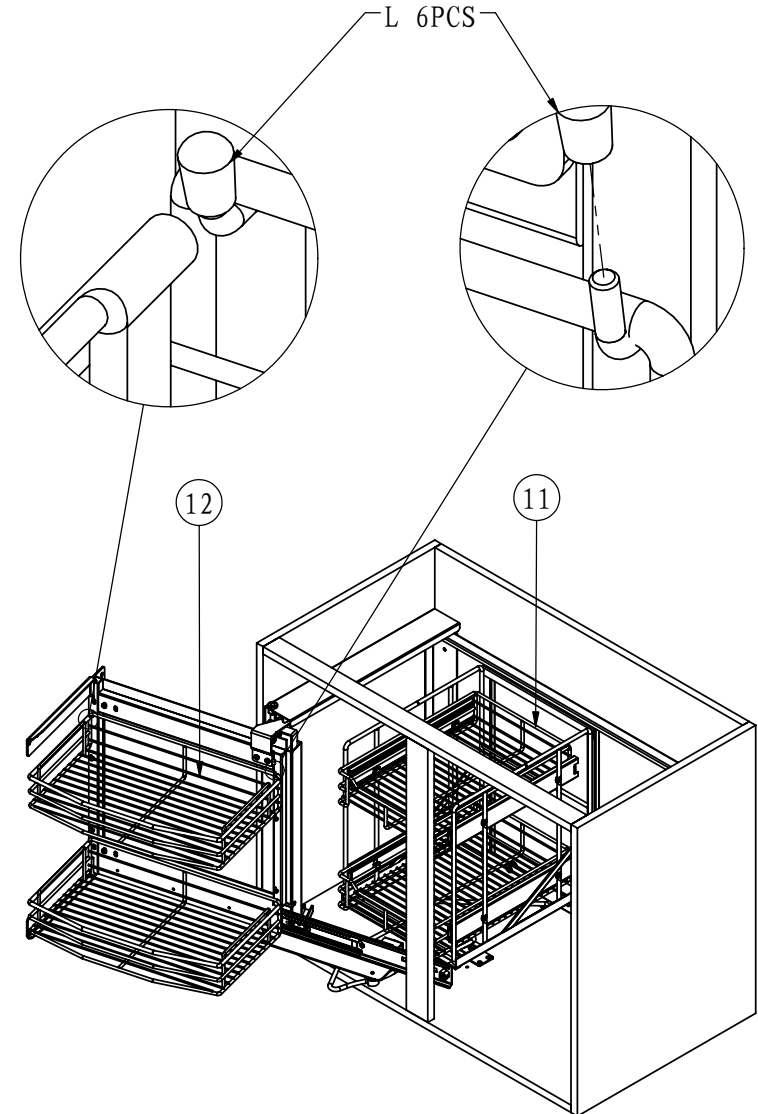
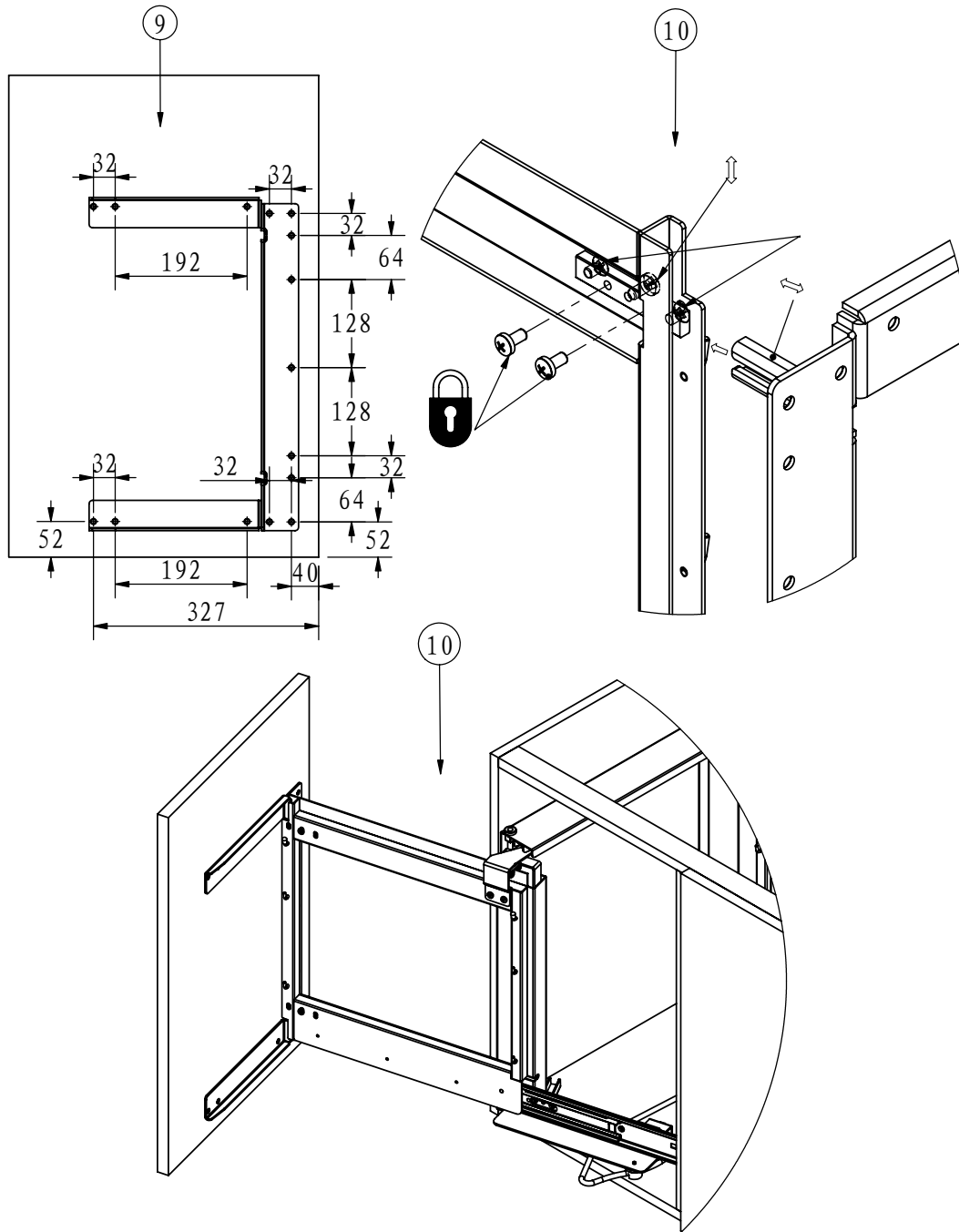


Fixing manual for PTJ017HA

4. Fixing process :



Fixing manual for PTJ017HA



5. Fix the baskets on the door with the fixing unit (J 2PCS) and screws (K 4PCS).